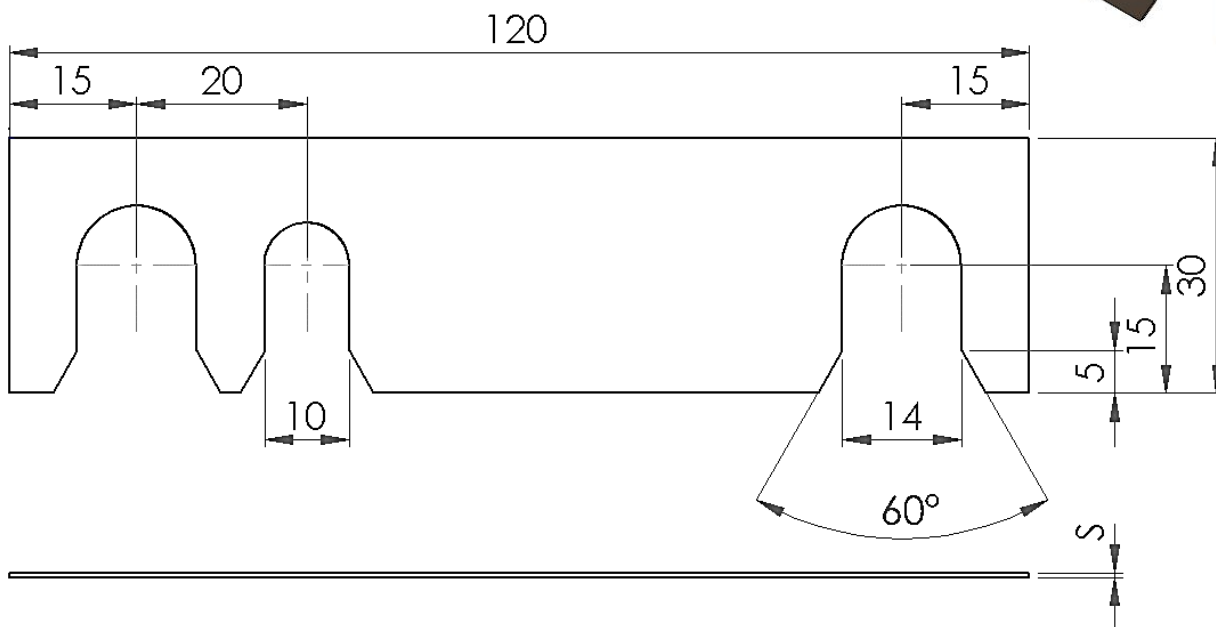
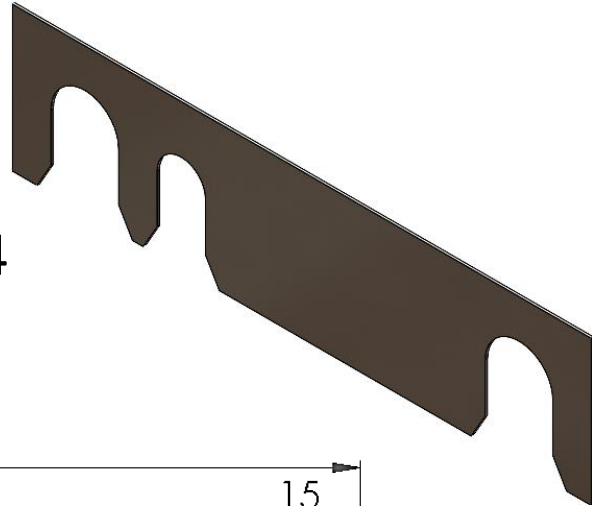


Zwischenplatte | Shim

Ausführung A4 | Type A4



part number	Dimension
3 131 150	120 × 30 × 0,1
3 131 151	120 × 30 × 0,5
3 131 152	120 × 30 × 1,0
3 131 153	120 × 30 × 2,0

tolerance according to DIN 2768m

minimum purchase 1000 Stück